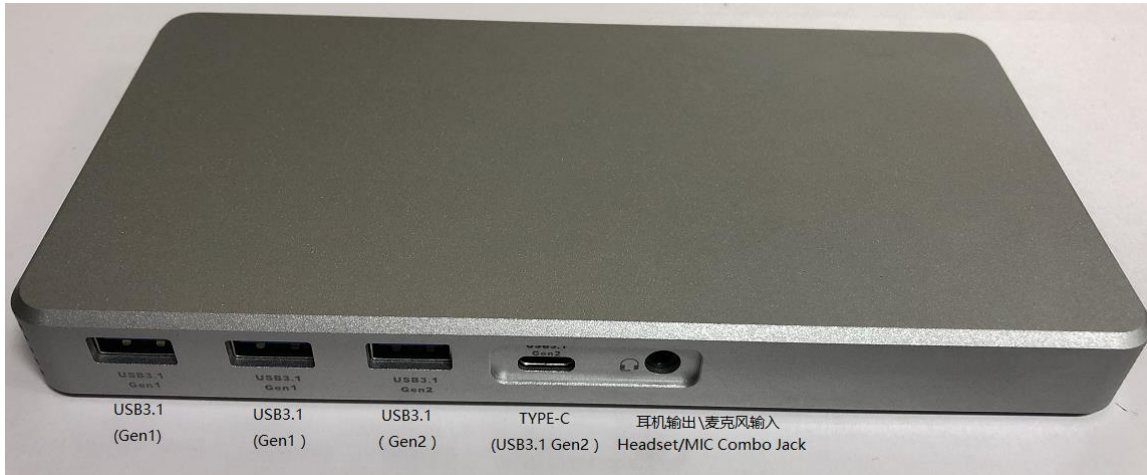


Titan Ridge Tamales

Thunderbolt3 Dock

Specification

1. ID Introduce



2.Specification

2.1 IC Controller

- A. Intel Titan Ridge JHL7440
- B. Cypress CCG5
- C. Realtek 5420 (USB3.1-10G HUB)
- D. Realtek 5411E (USB3.0-5G HUB)
- E. Realtek 8153B (Giga LAN)
- F. JM580(M.2 B KEY)
- G. PCIE (M.2 M KEY)

2.2 Interface

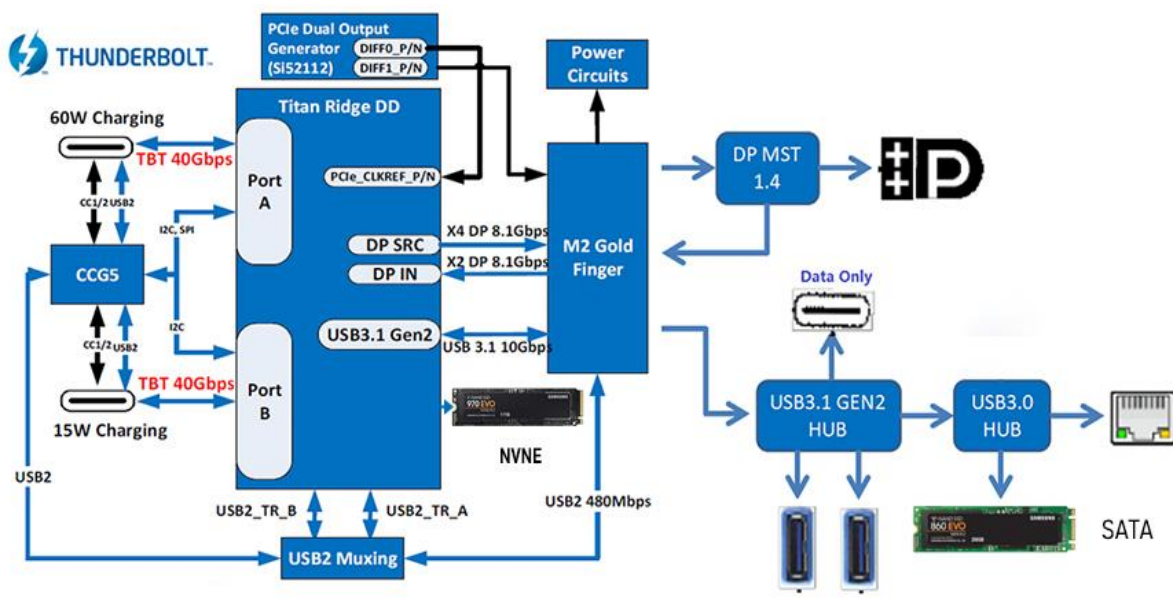
- A. Thunderbolt 3 40Gbps x 2
- B. Display Port 1.4 x 1
- C. USB3.1 Gen 2 10Gbps Type A x 1
- D. USB3.1 Gen 1 5Gbps Type A x 2
- E. USB3.1 Gen 2 10Gbps Type C x 1

- F. 10/100/1000M Ethernet x1
- G. Headset/MIC Combo Jack x1
- H. 20V/6A DC IN x1

3. Features

- A. Intel Titan Ridge Universal docksupport both Thunderbolt Host and MFDPC host PC or Notebook.(Intel Alpine Ridge is old version, only support Thunderbolt3 host PC or Notebook)
- B. Supports 2x thunderbolt3 40Gbps and Thunderbolt3 daisy chain.
- C. Supports single 8K@60Hz(7680x4320),5K@60Hz (5120x2880) UHD or dual 4K@60Hz display output.
- D. Thunderbolt Port A support PD 60W charging(5V/9V/15V/20V @3A).
- E. Thunderbolt Port B support PD 15W charging(5V@3A);
- F. USB3.1 Gen 2 Type A supports 1000MB/S and 5V@1.5A.
- G. USB3.1 Gen 1 Type A supports 500MB/S and 5V@1.5A.
- H. USB3.1 Gen 2 Type C supports 1000MB/S and 5V@3A.
- I. Supporting built-in M.2 B KEY(NGFF) protocol with maximum 2T SSD hard disk 6Gbps/S
- J. Support the built-in m.2 nvme (M key) maximum 2T SSD hard disk, **PCIe gen3x4 protocol 30Gbps / S**

4. Block Diagram



5. Operating System Support

- A. Mac OS X 10.12 and future releases.
- B. Windows 8/10 32 and 64 bit and future releases.

6. Power & Accessories

- A. Power Supply: External universal Power(120W/ 20V@6A) x1.
- B. Including Thunderbolt3 cable 0.7m.
- C. User manual x1.
- D. Retail Color Box x1.